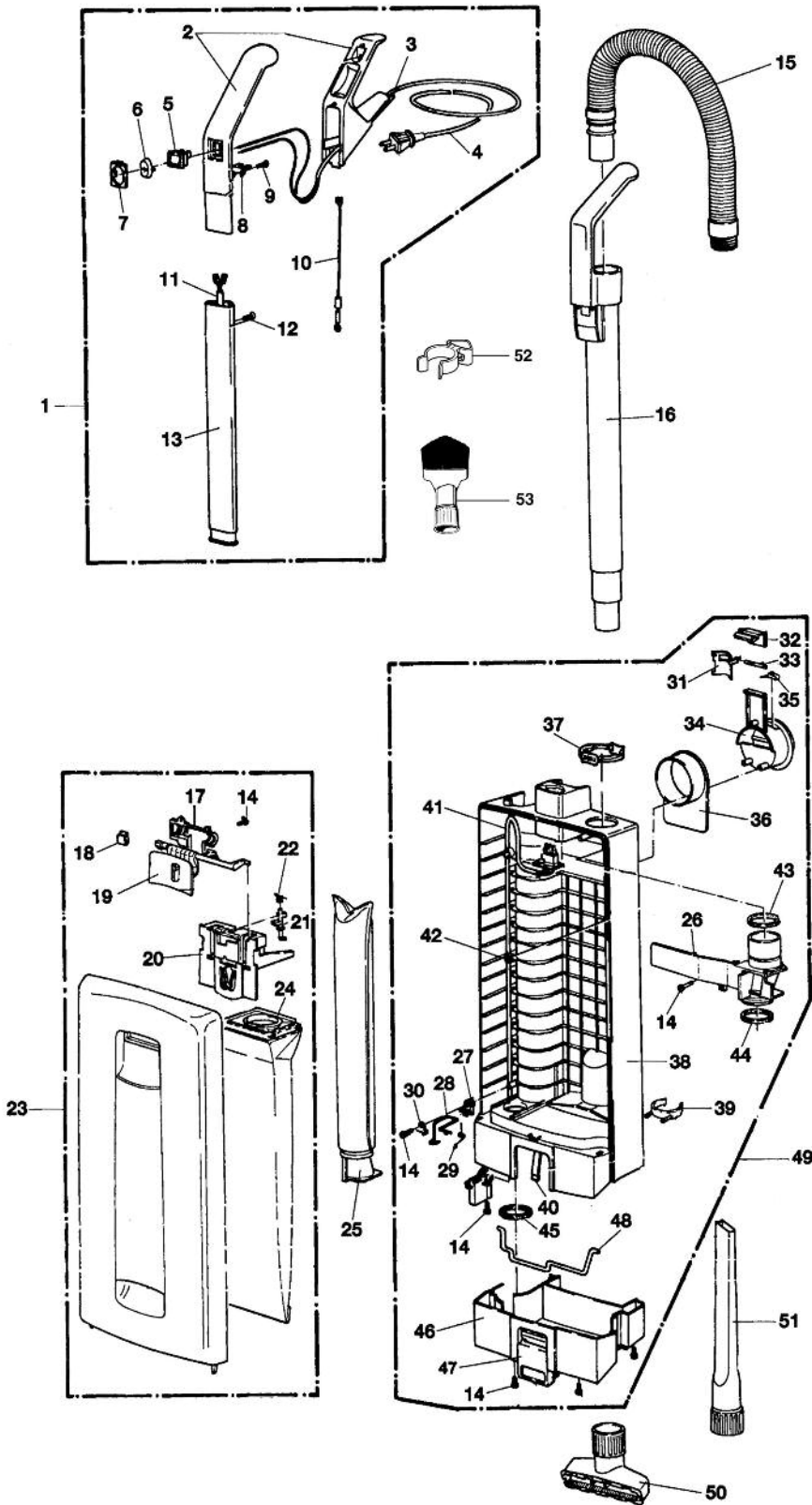


# SEBO ESSENTIAL G1 / G2

# Bag Housing with Handle

#9591AT G1 - Teal/Light Gray

#9592AT G2 - Teal/Light Gray



## #9591AT G1 and #9592AT G2 Teal/Light Gray Machines

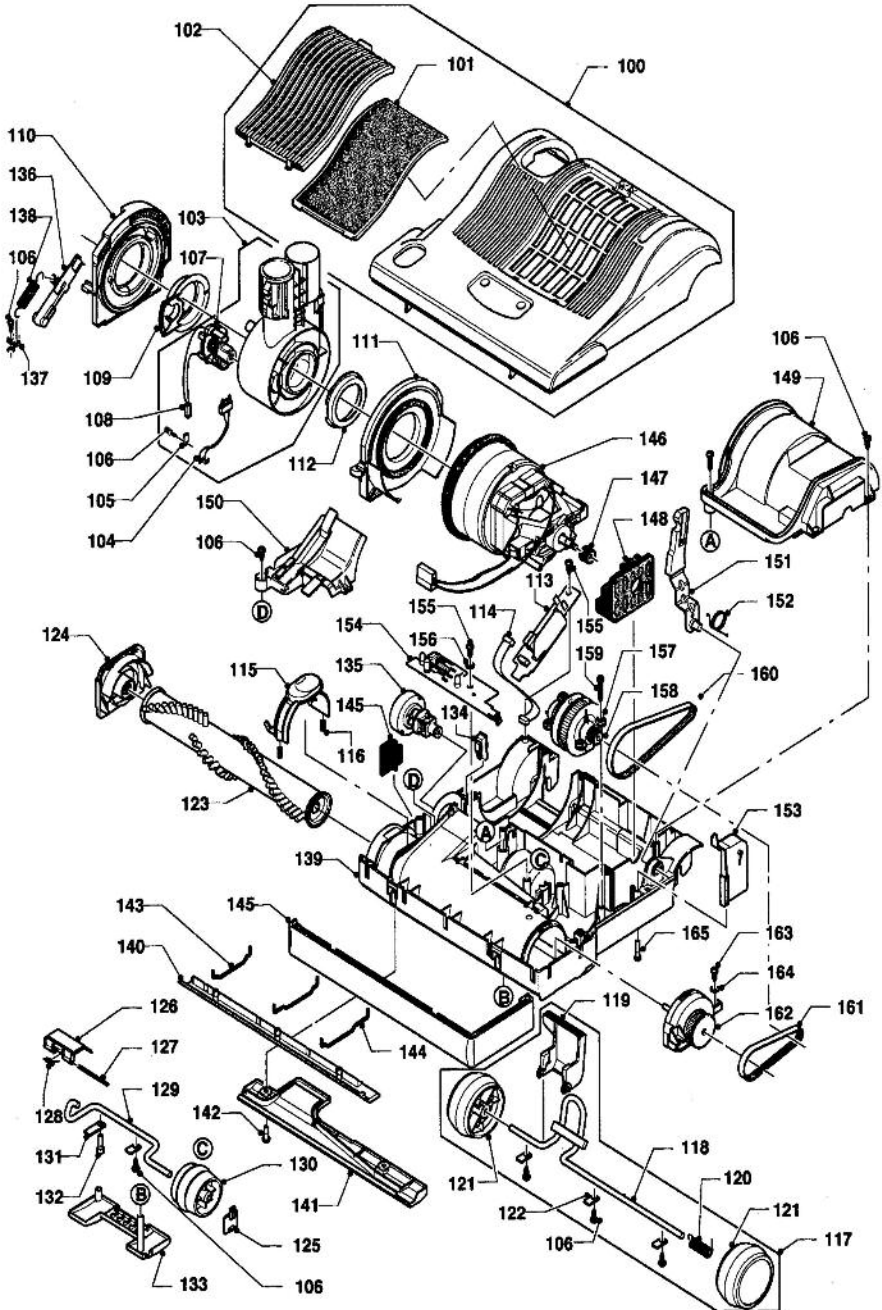
Pos.	Part #	Description
1	5624AT	Handle with cable, teal, complete
2	5296ES	Handle grip (incl. pos. 3, 7 & 10)
3	5359HG	Grommet
4	5450DG	Power supply cord
5	05113	Switch
6	5160TK	Switch cap - teal
7	5161HG	Switch cap holder - light gray
8	5162	Cable clamp
9	0103	Screw C 3.9 x 16
10	5253UL	Antistatic-wire, cpl.
11	5298ER	Handle cable
12	0129	Screw, M4 x 12
13	5187	Handle tube
14	0102	Screw F 3.9 x 13
15	5040SB	Hose - silver, complete
16	5045HG	Extension tube
17	5803HG	Cover
18	5319	Bag holder spring
19	5706TK	Cover release - teal
20	5324	Bag holder, complete (incl. pos. 21 & 22)
21	5360	Safety catch
22	5091	Safety catch spring
23	5805TK	Front cover, complete - gray/teal
24	5093AM	Filter bag
25	5036AM	Micro hygiene filter
26	5380HG	Internal cover, complete (incl. pos. 43 & 44)
27	5164	Cable clamp
28	5208	Filter safety catch
29	5210	Return spring
30	1073	Clamp
31	5099	Handle lock plate
32	5098HG	Lock catch
33	0187	Lock pin 4 x 33.5
34	5145HG	Carrying handle
35	5146	Stop spring
36	5144HG	Cable hook
37	5424DG	Retaining ring
38	5280HG	Dust bag housing
39	1823HG	Attachment clip
40	5084	Spring for locking rod
41	5299ER	Internal cable
42	5266	Cable clamp
43	5842	Seal
44	5289	Seal
45	5163	Seal
46	5085HG	Dust bag housing bumper base
47	5082TK	Dust bag housing locking catch - teal
48	5083	Locking rod
49	5214AT	Dust bag housing - light gray/teal
50	1491JE	Upholstery nozzle - light gray
51	1092JE	Crevice nozzle - light gray
52	5460DG	Mounting clip with screw - dark gray
53	1387DG	Dusting brush

# SEBO ESSENTIAL G1

# Power Head

#9591AT G1 - Teal/Light Gray

9591AT G1 Teal/Light Gray Machine



Pos.	Part #	Description
100	2831AT	Power head cover, complete - teal
101	2846	Exhaust filter
102	2820TK	Exhaust filter cover - teal
103	2823UL	Swivel neck assembly
104	2883	Male contact holder
105	2494	Cable clamp
106	0102	Screw F 3.9 x 13
107	2835	Bypass valve
108	0869	Internal cable
109	2825	Swivel neck bearing r.h.
110	2824	Swivel neck support r.h.
111	5479	Swivel neck support l.h.
112	5717	Swivel neck bearing l.h.
113	2890ER	PCB Power supply
114	0864	Internal Cable
115	5713TK	Brush roller release - teal
116	5103	Spring
117	5051HG	Axle assembly
118	5053	Axle
119	5059OR	Foot pedal - orange
120	2010	Axle spring
121	5819HG	Wheel, complete
122	2014	Axle clamp
123	5010AM	Brush roller
124	5031TK	Bearing block, r.h. - teal/light gray
125	2869HG	Brushing plate
126	2868OR	Access door (incl. pos. 127 & 128)
127	5303	Access door axle
128	5304	Access door spring
129	2861	Pile adjustment axle
130	5174HG	Pile adjustment wheel
131	2849	Axle clamp
132	01010	Screw AM4 x 16
133	2860HG	Cover
134	2833	Thrust member
135	2862HG	Pile adjustment knob
136	2834	Thrust member
137	2856	Clamp
138	2867	Spring
139	2821HG	Chassis, complete
140	5411HG	Front bottom plate, complete
141	2829HG	Rear bottom plate, complete (incl. pos. 142)
142	0197	Screw M4 x 12
143	5401	Wire tie
144	5402	Wire tie
145	5005HG	Bumper, set
146	5468	Motor 1300W / 120V
147	05117S	Carbon brush set
148	5462	Vacuum motor pulley 2MR
149	5100	Rubber mounting
150	2826TK	Motor cover - teal
151	2839SW	Cover for air channel
152	5129	Support lever
153	5107-1	Support spring
154	5112SW	Motor pulley cover
155	2881ER	Computer controller
156	0107	Screw C 2.9 x 13
157	0143	Washer 3.2 DIN 125
158	5464	Sensor
159	5117/1	Sensor pulley
160	0104	Screw C 3.9 x 25
161	5463	Belt 2MR-310-6
162	5110	Belt 219 3M HTDII-6
163	5766HG	Bearing block l.h., complete
164	0103	Screw C 3.9 x 16
165	0140	Washer 4.3
166	0176TL	Screw AM4 x 30

# SEBO ESSENTIAL G2

# Power Head

#9592AT G2 - Teal/Light Gray

#9592AT G2 Teal/Light Gray Machine

Pos. Part # Description

Pos.	Part #	Description
100	2832AT	Power head cover, complete - teal
101	2846	Exhaust filter
102	2820TK	Exhaust filter cover - teal
103	2823UL	Swivel neck assembly
104	2883	Male contact holder
105	2494	Cable clamp
106	0102	Screw F 3.9 x 13
107	2835	Bypass valve
108	0869	Internal cable
109	2825	Swivel neck bearing r.h.
110	2824	Swivel neck support r.h.
111	5479	Swivel neck support l.h.
112	5717	Swivel neck bearing l.h.
113	2890ER	PCB Power supply
114	0864	Internal Cable
115	2843TK	Brush roller release - teal
116	5103	Spring
117	5051HG	Axle assembly
118	5053	Axle
119	5059OR	Foot pedal - orange
120	2010	Axle spring
121	5819HG	Wheel, complete
122	2014	Axle clamp
123	2838AM	Brush roller
124	5031TK	Bearing block r.h. - teal/light gray
125	2869HG	Rubbing plate
126	2868OR	Access door (incl. pos. 127 & 128)
127	5303	Access door axle
128	5304	Access door spring
129	2861	Pile adjustment axle
130	5174HG	Pile adjustment wheel
131	2849	Axle clamp
132	01010	Screw AM4 x 16
133	2860HG	Cover
134	2833	Thrust member
135	2862HG	Pile adjustment knob
136	2834	Thrust member
137	2856	Clamp
138	2867	Spring
139	2822HG	Chassis, complete, G2
140	2828HG	Front bottom plate, complete
141	2830HG	Rear bottom plate, complete (incl. pos. 142)
142	0197	Screw M4 x 12
143	5401	Wire tie
144	5402	Wire tie
145	2842HG	Bumper, set
146	5468	Motor 1300W / 120V
	05117S	Carbon brush set
147	5462	Vacuum motor pulley 2MR
148	5100	Rubber mounting
149	2826TK	Motor cover - teal
150	2839SW	Cover for air channel
151	5129	Support lever
152	5107-1	Support spring
153	5112SW	Motor pulley cover
154	2881ER	Computer controller
155	0107	Screw C 2.9 x 13
156	0143	Washer 3.2 DIN 125
157	5465	Sensor
158	5117/1	Sensor pulley
159	0104	Screw C 3.9 x 25
160	5463	Belt 2MR-310-6
161	5110	Belt 219 3M HTDII-6
162	5766HG	Bearing block l.h., complete
163	0103	Screw C 3.9 x 16
164	0140	Washer 4.3
165	0176TL	Screw AM4 x 30

